

The technical data may be changed without prior notice

CEILING SPEAKER

L-3154EN



USER MANUAL

LY International Electronics Co., Ltd.

Address: Room 1206, No.26 Jinlong Road, Nansha District, Guangzhou, China

Post Code: 510458

Tel: +86-20-39390663

Website: www.lyintlcorp.com

Introduction

Thanks for purchasing our PA speaker system. All of our products have been tested strictly before shipping.

The PA speaker system is widely used in hotel, trade building, supermarket, school, entertainment, etc. It's the most ideal choice of you! In order to facilitate installing, modulating and running please read this manual carefully before setup.

Profile of Product

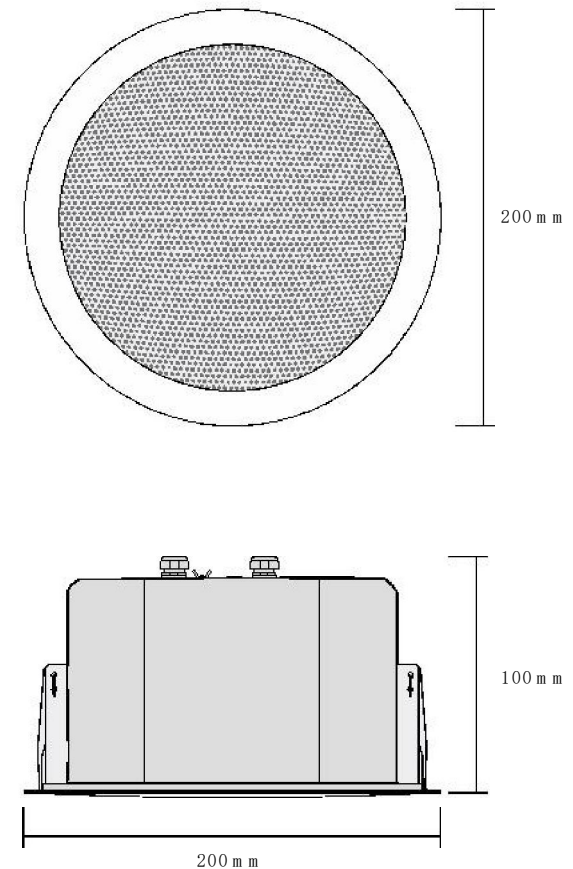
Product features

- suitable for use for public broadcast and background music.
- With clear and sonorous sound, bringing high-quality enjoyment.
- The delicate appearance of the speaker can be perfectly integrated into any occasion.
- The protection of the cable connecting terminal with the rear cover of the protection.

Material characteristics

- The mesh cover is fine aluminum mesh, rust-proof and durable.
- The speaker's fireproof cover is made by punch forming of high-quality steel, with flame-retardant sleeve joint, which can be sealed completely to prevent fire.
- The speaker has a reinforced adjustable clip, durable and reliable, convenient for installation, and also has a safety steel rope hook, so as to realize double protection.
- Mounting plate with protective rubber makes it possible to avoid damages to the ceiling materials.

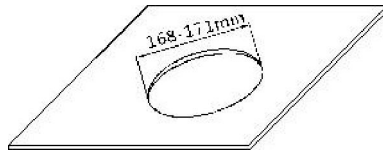
Product information



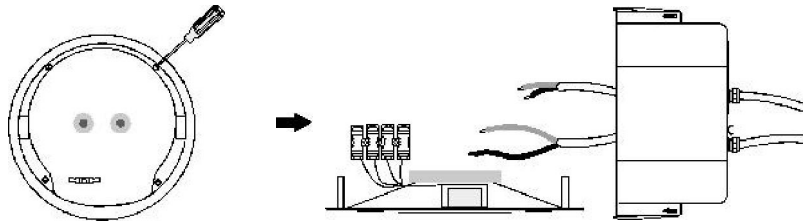
Unit: mm

Installation method

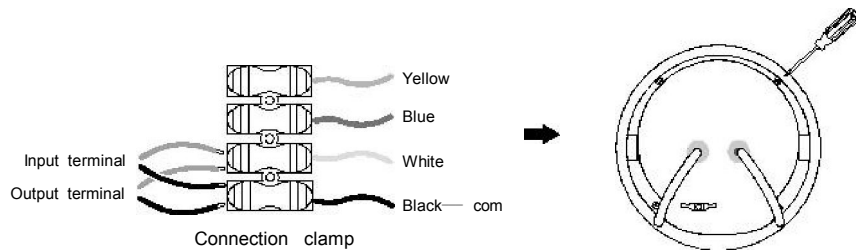
1. Please mark the size of mounting hole of ceiling with the attached round template to the speaker, and cut a round mounting hole on the ceiling (as shown in the figure below, the hole diameter shall not exceed the range from 168 to 171mm).



2. Unscrew the four screws with a screwdriver, and open the rear cover to thread the audio broadcasting transmission line through the cover.



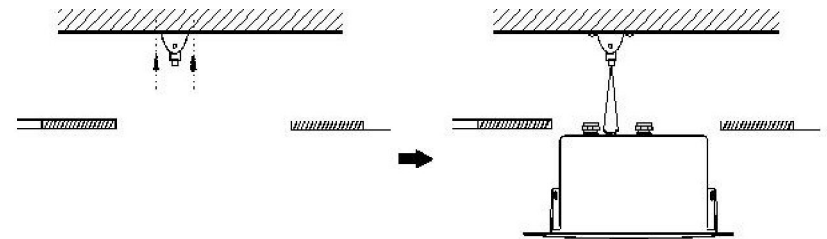
3. Choose an appropriate terminal wire according to the actual power (see the table below for details), and connect with this terminal wire, then close the rear cover, and screw on the screws.



* Case of black--white connection

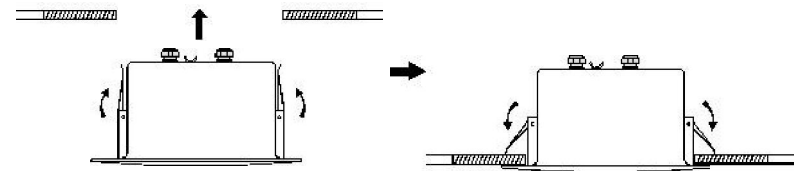
Power	Line voltage	
Terminal		100V
Black-blue		2.5 W
Black-white		5 W
Black-yellow		10 W

4. Fix the parts on the ceiling, secure the rope is fixed to the hook (this step is optional).



Note: Parts are required to buy separately.

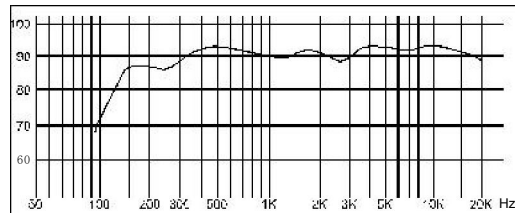
5. Upright the spring clips on both sides of the speaker and insert them into the mounting hole, then let go them, push the speaker gently to insert it into the ceiling (see the figure below). To avoid being injured by the spring, it is recommended to wear work gloves when doing this step.



Technical parameters

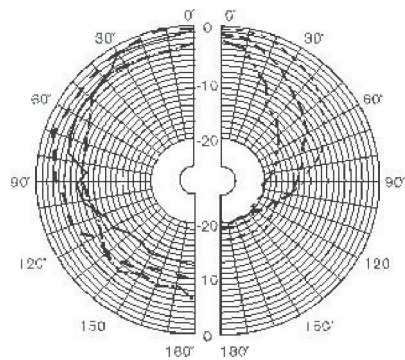
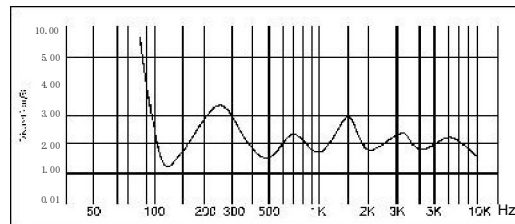
FREQ. RESPONSE

dB SPL滿1W滿1m



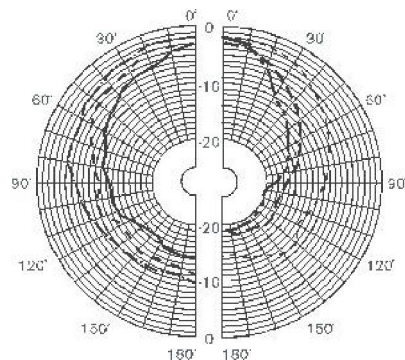
DISTORTION

THD < 1.5% 1W滿1m滿 100Hz-10k Hz



- - - - 250 Hz - - - - 2000 Hz
 - - - - 500 Hz - - - - 4000 Hz
 - - - - 1000 Hz - - - - 8000 Hz

Vertical directivity pattern



- - - - 250 Hz - - - - 2000 Hz
 - - - - 500 Hz - - - - 4000 Hz
 - - - - 1000 Hz - - - - 8000 Hz

Horizontal directivity pattern

Project	Parameter
Driver unit	6.5"×1
Rated power(RMS)	10 W
Working voltage	100V
Sensitivity (1 m, 1 W)	90dB±2dB
Max.SPL (1 m)	100dB ±2dB
Frequency response	180Hz -16kHz
Dimension (H×W×D)	200×200×100 m m
Net weight	1.04kg

Packing list

Component	Quantity
Ceiling Speaker	1
Product Specification	1
Certificate of Approval	1
Warranty Card	1